

ROTRON® Regenerative Blowers

DR P13 Regenerative Blower

FEATURES

- Manufactured in the USA – ISO 9001 compliant
- CE compliant – Declaration of Conformity on file
- Maximum flow: 1300 SCFM
- Maximum pressure: 122 IWG
- Maximum vacuum: 7.3" Hg (99.3 IWG)
- Standard motor: 30 HP, ODP
- Cast aluminum blower housing, impeller & cover; cast iron flanges (threaded)
- UL & CSA approved motor with permanently sealed ball bearings
- Quiet operation within OSHA standards when properly piped or muffled – 2 mufflers included

MOTOR OPTIONS

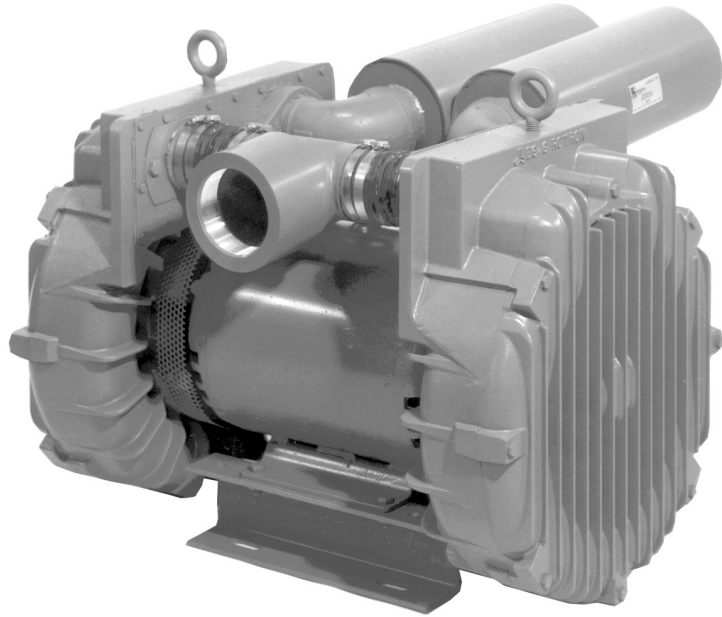
- International voltage & frequency (Hz)
- Chemical duty, high efficiency, inverter duty or industry-specific designs
- Various horsepower for application-specific needs

BLOWER OPTIONS

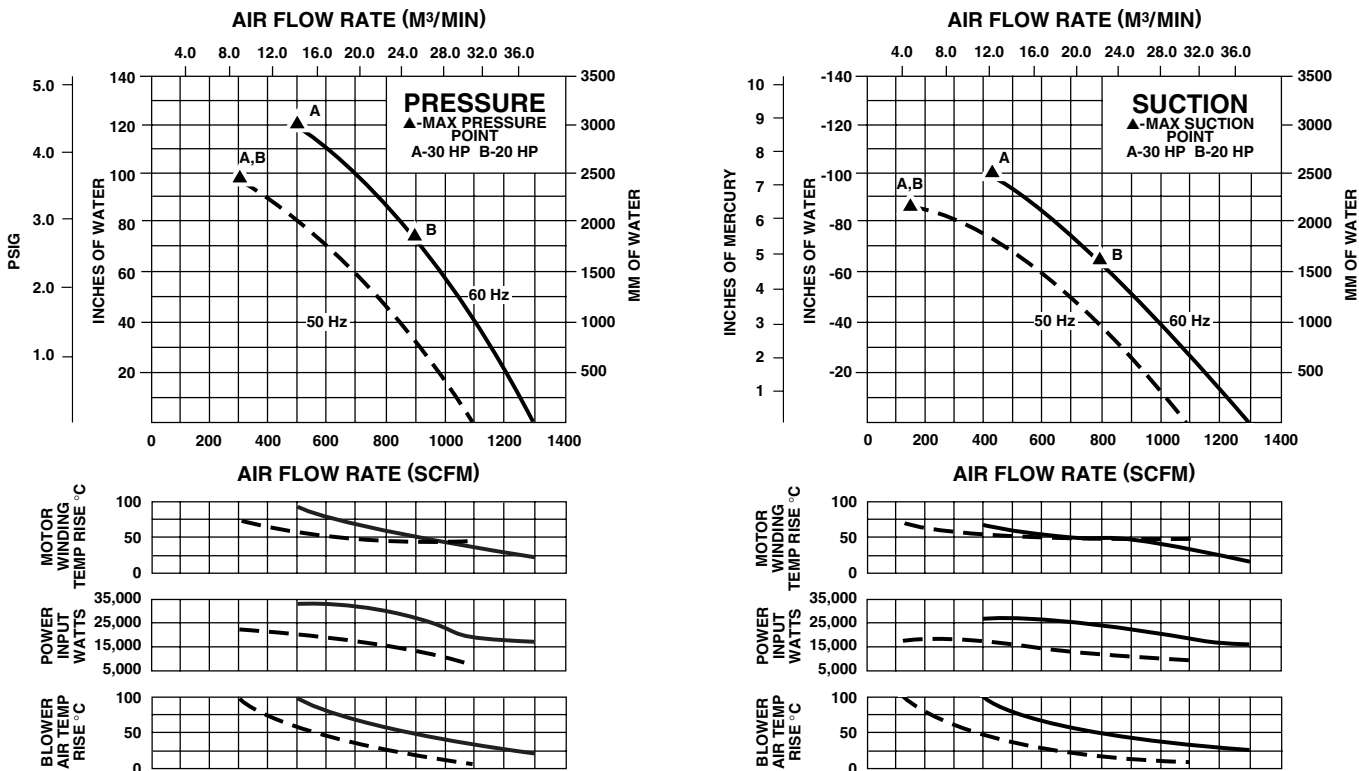
- Corrosion resistant surface treatments & sealing options
- Remote drive (motorless) models
- Slip-on or face flanges for application-specific needs

ACCESSORIES (See Catalog Accessory Section)

- Flowmeters reading in SCFM
- Filters & moisture separators
- Pressure gauges, vacuum gauges & relief valves
- Switches – air flow, pressure, vacuum or temperature
- External mufflers for additional silencing
- Air knives (used on blow-off applications)
- Variable frequency drive package



BLOWER PERFORMANCE AT STANDARD CONDITIONS

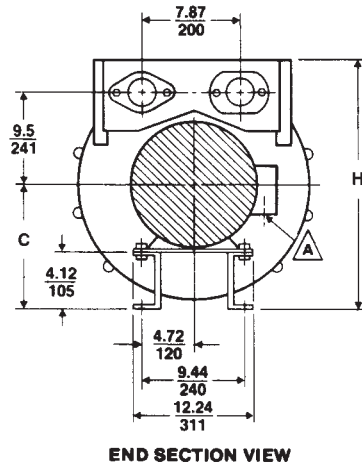
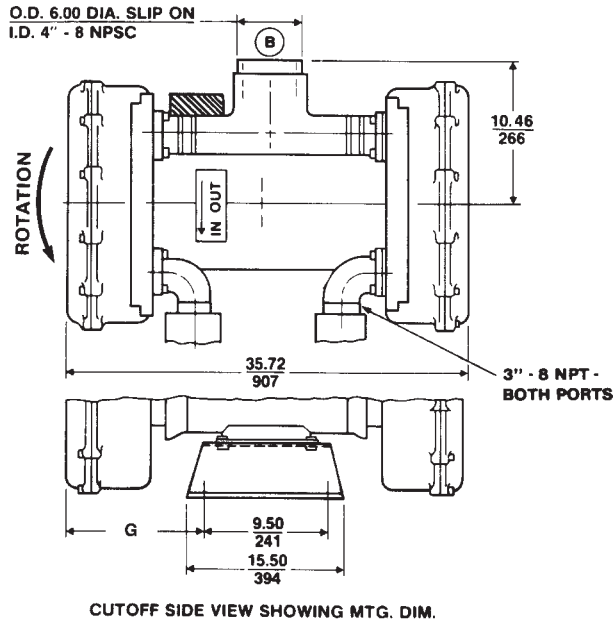


Rev. 2/04

ROTRON® Regenerative Blowers

DR P13 Regenerative Blower

Scale CAD drawing available upon request.



DIMENSIONS: $\frac{\text{IN}}{\text{MM}}$
TOLERANCES: .XX \pm $\frac{.1}{2.5}$
(UNLESS OTHERWISE NOTED)

HP MOTOR	C (IN/MM)	H (IN/MM)	G (IN/MM)
30	11.12 / 282	23.34 / 593	13.6 / 346
20	11.12 / 282	22.59 / 574	10.86 / 275.8

A 2.0 INCH DIAMETER TERMINAL BOX CONNECTOR HOLE (30 HP MOTOR)

B OUTLET (PRESSURE) ON DRP13BP72C
INLET (SUCTION) ON DRP13BP72D

SPECIFICATIONS

ALL PRODUCTS LISTED INCLUDE 2 MUFFLERS PN 511569

Pressure Mode	MODEL	DRP13BP72C	DRP13BP86C	DRP13BM72C
	Part No.	036711	036923	036708
Suction Mode	MODEL	DRP13BP72D	DRP13BP86D	DRP13BM72D
	Part No.	036712	036924	036707
Motor Enclosure – Shaft Material	ODP – CS			ODP – CS
Horsepower	30		30	20
Voltage ¹	230/460		575	230/460
Phase – Frequency ¹	Three - 60 Hz		Three - 60 Hz	Three - 60 Hz
Insulation Class ²	F			F
NEMA Rated Motor Amps	78/39		28	49/24.5
Service Factor	1.15		1.15	1.15
Locked Rotor Amps	380/190		174	306/153
Max. Blower Amps ³	84/42		36	72/36
Recommended NEMA Starter Size	3/3		3	3/2
Shipping Weight	687 lb (311 kg)		687 lb (311 kg)	592 lb (269 kg)

¹ Rotron motors are designed to handle a broad range of world voltages and power supply variations. Our dual voltage 3 phase motors are factory tested and certified to operate on both: **208-230/415-460 VAC-3 ph-60 Hz** and **190-208/380-415 VAC-3 ph-50 Hz**. Our dual voltage 1 phase motors are factory tested and certified to operate on both: **104-115/208-230 VAC-1 ph-60 Hz** and **100-110/200-220 VAC-1 ph-50 Hz**. All voltages above can handle a $\pm 10\%$ voltage fluctuation. Special wound motors can be ordered for voltages outside our certified range.

² Maximum operating temperature: Motor winding temperature (winding rise plus ambient) should not exceed 140°C for Class F rated motors or 120°C for Class B rated motors. Blower outlet air temperature should not exceed 140°C (air temperature rise plus inlet temperature). Performance curve maximum pressure and suction points are based on a 40°C inlet and ambient temperature. Consult factory for inlet or ambient temperatures above 40°C.

³ Maximum blower amps corresponds to the performance point at which the motor or blower temperature rise with a 40°C inlet and/or ambient temperature reaches the maximum operating temperature.

Specifications subject to change without notice. Please consult your Local Field Sales Engineer for specification updates.

Rev. 2/04